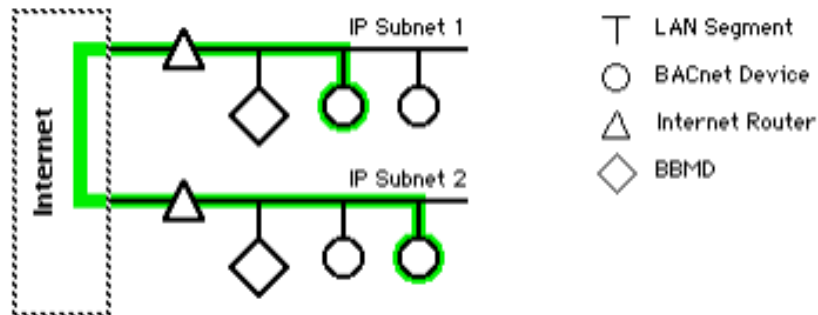


Now let's look at how the various types of directed and broadcasted BACnet messages are processed...



Direct communications between devices...

Assuming that two devices know each other's IP addresses and the UDP ports they are using, i.e., their respective B/IP addresses, there's nothing that restricts them from communicating directly. Remember that the BBMD and its related BVLL microprotocol is used **only for broadcast messages**.